

PROJECT	QUANTITY	ITEM NO
---------	----------	---------

# Open fryers



MODEL **OFG-323** 3-well gas



Three-well open fryer model OFG-323

## General Information

Henny Penny open fryers offer high-volume, integral multi-well frying with programmable operation, oil management functions and fast, easy filtration.

Henny Penny's unique heat-exchange design produces extremely fast temperature recovery—typically in seconds—while requiring less than 2 kW per gallon of oil or shortening. That level of efficiency has earned the Henny Penny 320 series open fryer the ENERGY STAR® mark.

Fast recovery also translates into frying program profits with higher throughput, lower energy costs and longer frying oil life that comes from reduced temperature fluctuations.

A built-in filtration system filters hot frying oil in under 4 minutes, with no separate pumps or pans required. Hot filtered oil returns directly to each

well. Frequent filtering extends frying oil life, improves product quality and reduces oil costs.

The OFG-323 open fryer features three integral fry wells equipped for half basket or full basket operation. Henny Penny's heavy-duty stainless steel rectangular fry pots promote fast even cooking and come with a 7-year warranty—the best in the business.

The **COMPUTRON™ 8000** control provides fully automatic, programmable operation, as well as energy-saving, filtration and cook management features.

The **COMPUTRON™ 1000** control offers programmability in a simple, easy to use digital control panel with LED display.

## Standard Features

- Stainless steel construction for easy-cleaning and long life.
- 3 heavy-duty stainless steel rectangular fry pots with 7-year warranty.
- **COMPUTRON™ 8000** control (additional charge.)
  - 12 programmable cook cycles
  - Melt mode
  - Idle mode
  - Load compensation
  - Proportional control
  - Optional filter prompt and customizable filter tracking
  - Clean-out mode
  - 16-character digital display with multiple language settings.

- **COMPUTRON™ 1000** simple digital control
  - Programmable
  - LED Time/Temp display
  - Simple UP/DOWN arrows
- Built-in filtration (additional charge.)
  - Single well/sequential filter pan
  - Three-well filter pan
- Fry pot protection system.
- Easy basket set and release.
- Specially designed cold zone prevents scorching.
- 4 heavy-duty casters, 2 locking.

## Accessories shipped with unit

- Fry baskets—please select one
  - 3 full baskets
  - 2 full and 2 half baskets
  - 1 full and 4 half baskets
  - 6 half baskets
- 3 basket supports

## Accessories and options available separately

- Direct Connect shortening disposal (filtration equipped units, only)
- Shortening shuttle
- Filter rinse hose
- Fry well covers

<input type="checkbox"/> APPROVED	<input type="checkbox"/> APPROVED AS NOTED	<input type="checkbox"/> RESUBMIT
AUTHORIZED SIGNATURE		DATE

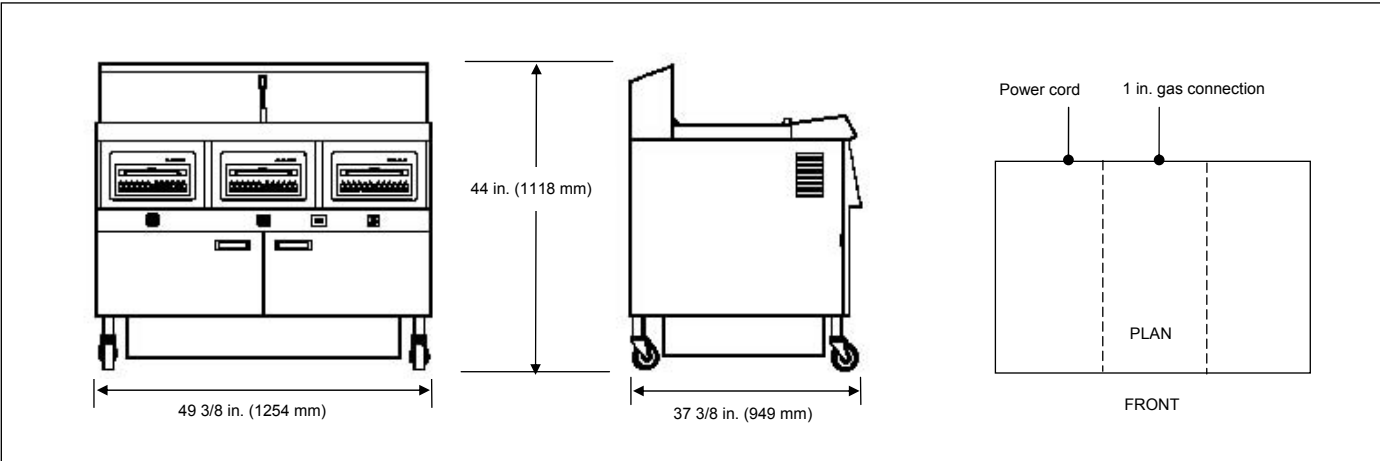


Henny Penny Corporation  
 PO Box 60 Eaton OH 45320 USA  
 +1 937 456.8400 800 417.8417  
 +1 937 456.8434 Fax 800 417.8434 Fax  
[www.hennypenny.com](http://www.hennypenny.com)

PROJECT	ITEM NO
---------	---------

# Open fryers

MODEL **OFG-323** 3-well gas



**Dimensions**

Width 49 3/8 in. (1254 mm)  
 Depth 37 3/8 in. (949 mm)  
 Height 44 in. (1118 mm)

**Required clearances**

Sides 6 in. (152 mm) air flow  
 Back: 6 in. (152 mm) air flow, connections  
 Front: 30 in. (762 mm) filter pan removal

**Crated dimensions**

Length 55 in. (1397 mm)  
 Depth 39 in. (991 mm)  
 Height 54 in. (1372 mm)  
 Volume 67.0 cu. ft. (1.90 m³)

**Net weight** N/A

**Crated weight:** 614 lbs. (279 kg)

**Heating**

Natural gas or liquid petroleum  
 6 burners, 255,000 BTU/hr (75 kW)  
 1 in. connection

**Oil capacity:**

32 qts. or 65 lbs. (30 liters or 30 kg) per vat

**Electrical**

Volts	Phase	Cycle/Hz	Watts	Amps	Wire
120	1	60	N/A	12.0	2+G
230	1	50	N/A	2.5	1NG
220-240	1	50	N/A	12.0	2+NG

**Laboratory certifications**



**Bidding Specifications**

- Provide Henny Penny model OFG-323 three-well gas open fryer with available built-in filtration system, (additional charge.)
- Units shall incorporate either **COMPUTRON™ 1000** simple digital controls or **COMPUTRON™ 8000** control system (additional charge.)
- Materials—cabinet, deck, exhaust stack, filter drain pan and various fittings are stainless steel. Fry pots are heavy duty stainless steel.
- Units shall incorporate high-efficiency heat-exchange design for extremely fast recovery.
- Units qualify for the ENERGY STAR® mark.
- Unit's controller provides for programmable or manual operation with press-key controls and LED digital display. **COMPUTRON™ 8000** control offers idle and melt modes, load compensation, filtration tracking and 7-day history.
- Units will include 4 heavy-duty casters, 2 locking.
- Units with filtration system ship with stainless steel **Max** filtration screen and 2 PHT filter envelopes. All units ship with choice of 3 full baskets, 1 full and 4 half baskets, 2 full and 2 half baskets, or 6 half baskets.

*Continuing product improvement may subject specifications to change without notice.*



[www.hennypenny.com](http://www.hennypenny.com)